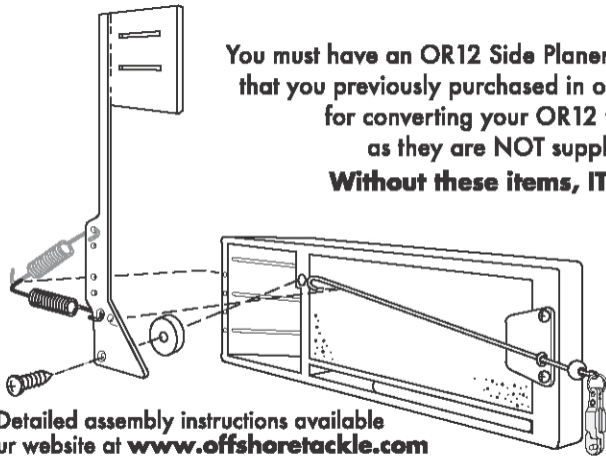


## OR12FEK Contains:

1 of each of the following:

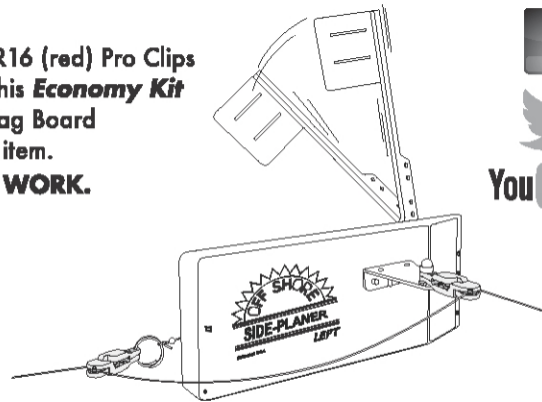
Spring, Screw Eye, 6/32 Screw,  
Split Ring, Wire, and Washer

# OR12FEK



Detailed assembly instructions available  
on our website at [www.offshoretackle.com](http://www.offshoretackle.com)

You must have an OR12 Side Planer and two OR16 (red) Pro Clips that you previously purchased in order to use this **Economy Kit** for converting your OR12 to a Tattle Flag Board as they are NOT supplied with this item.  
**Without these items, IT WILL NOT WORK.**



**Note:** There must be slack **between** the OR16 (red) Pro Clip on the bracket and the OR16 (red) Pro Clip on the tattle flag wire.



YouTube™