

*"Often Imitated, Never Duplicated!"*



*(No OR16s OR Flag included)*

**OR12TFEK TATTLE FLAG ECONOMY KIT**

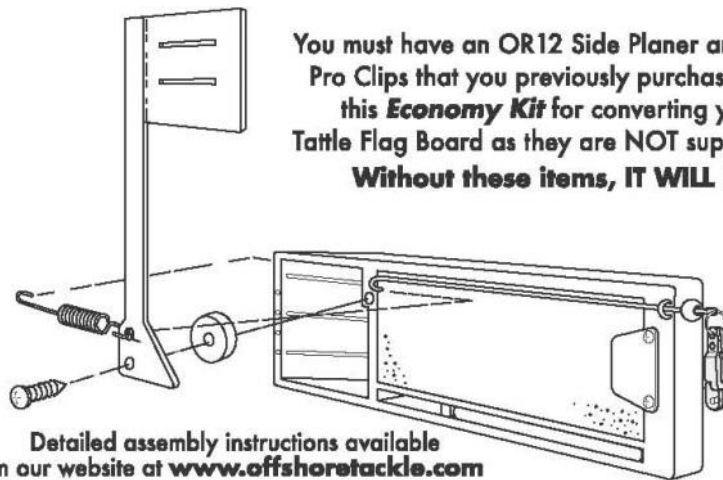
**OR12TFEK Contains:**

1 of each of the following:  
Spring, Screw Eye, 6/32 Screw,  
Split Ring, Wire, and Washer

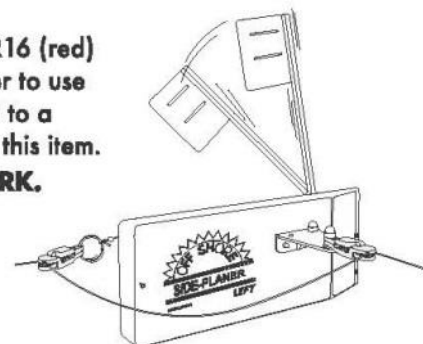
**OR12TFEK**



Detailed assembly instructions available  
on our website at [www.offshoretackle.com](http://www.offshoretackle.com)



You must have an OR12 Side Planer and two OR16 (red) Pro Clips that you previously purchased in order to use this **Economy Kit** for converting your OR12 to a Tattle Flag Board as they are NOT supplied with this item. **Without these items, IT WILL NOT WORK.**



**Note:** There must be slack between the OR16 (red) Pro Clip on the bracket and the OR16 (red) Pro Clip on the tattle flag wire.

HOW TO VIDEO



SCAN. TROLL. CATCH FISH.



YouTube™

If you need more detailed instructions on installing the OR12TFEK onto your previously purchased OR12 Side Planer and two OR16's, please open the instruction sheet for the OR12TF as it will show you each step.